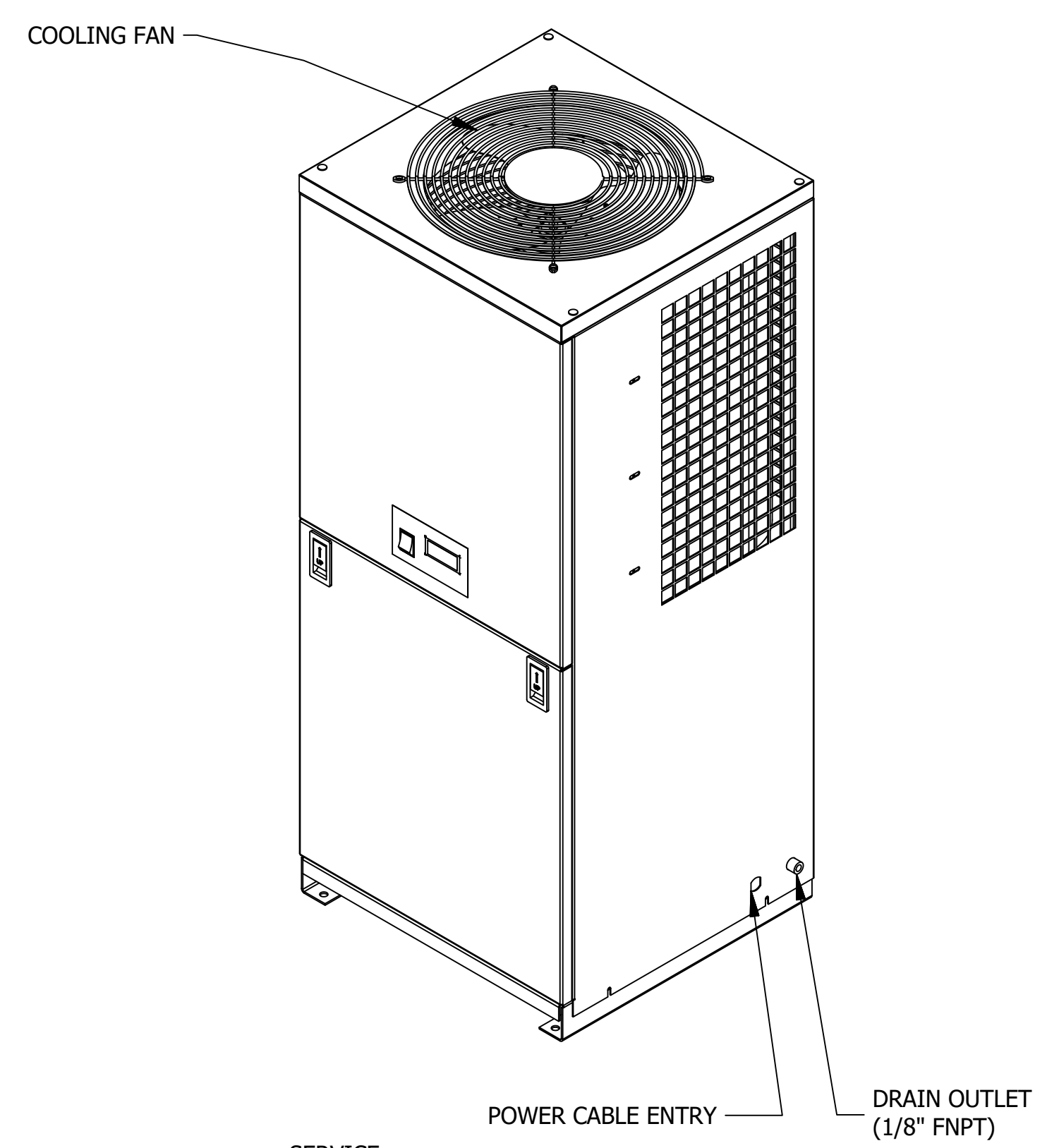
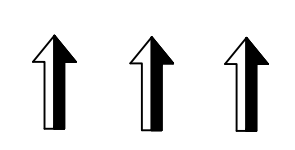


TOP VIEW



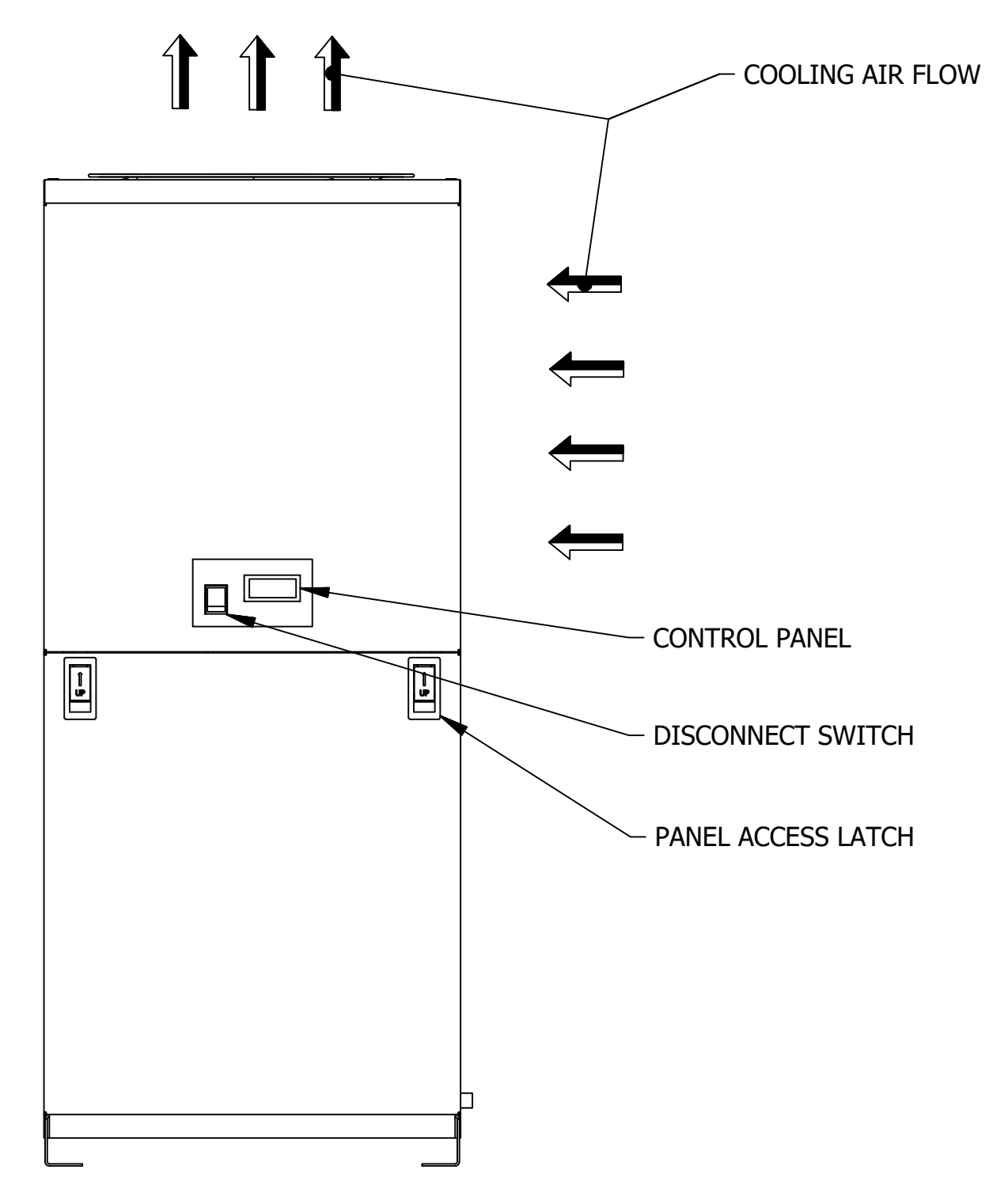
SERVICE:
COMPRESSED AIR

DRYER INFORMATION:
INLET AIR FLOW: 75 SCFM / 2.0 Nm³/min
CONNECTIONS: 1" MNPT
DRAIN CONNECTION: 1/8" FNPT
REFRIGERANT: R407C
ELECTRICAL: 115V/1PH/60Hz
WEIGHT: 123.5 LBS. / 56 KG

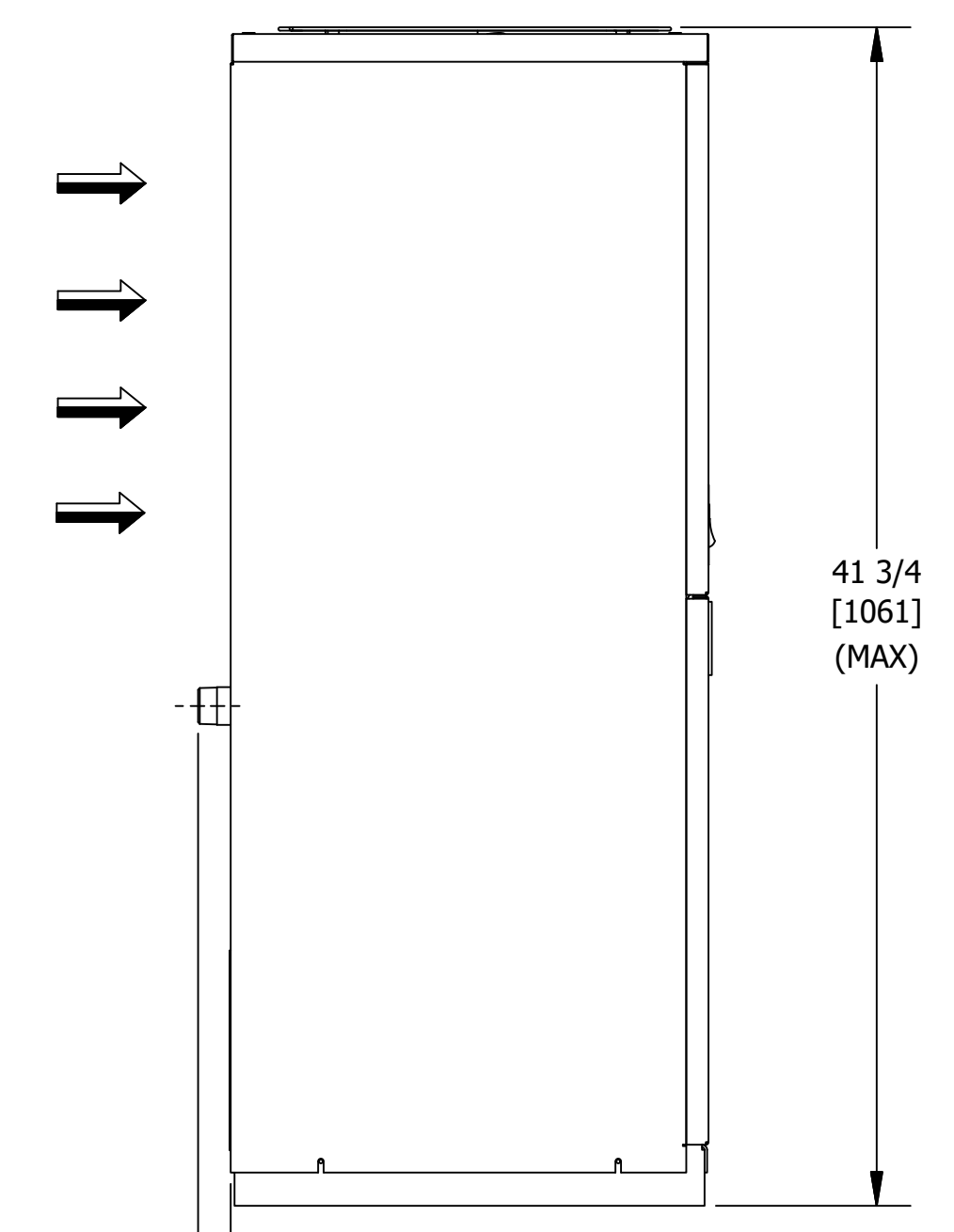
OPERATING CONDITIONS:
RATED INLET AIR PRESSURE: 125 PSIG / 8.6 BARG
MAXIMUM INLET AIR PRESSURE: 227 PSIG / 15.7 BARG
MINIMUM INLET AIR PRESSURE: 42 PSIG / 3 BARG
RATED INLET AIR TEMPERATURE: 180°F / 82°C
MAXIMUM INLET AIR TEMPERATURE: 180°F / 82°C
MINIMUM INLET AIR TEMPERATURE: 40°F / 4°C
RATED AMBIENT AIR TEMPERATURE: 95°F / 35°C
MAXIMUM AMBIENT AIR TEMPERATURE: 110°F / 43°C
MINIMUM AMBIENT AIR TEMPERATURE: 40°F / 4°C
RATED/MAXIMUM PRESSURE DEW POINT: 160°F / 71°C

SPECIFICATIONS:
CONDENSER TYPE: AIR COOLED
DRAIN TYPE: ELECTRONIC AUTO DRAIN VALVE
EXPANSION DEVICE: EXPANSION VALVE

- NOTES:
- THIS DRAWING ALONG WITH THE MANUAL PROVIDES OPERATING CONDITIONS, SPECIFICATIONS, INSTALLATION, MOUNTING, AND CONNECTION REQUIREMENTS. READ THE MANUAL PRIOR TO INSTALLATION.
 - INSTALL IN A CLEAN, WELL VENTILATED AREA TO REDUCE DIRT AND DUST ON THE CONDENSER COILS.
 - FOR COOLING AIR FLOW AND MAINTENANCE PURPOSES, RECOMMENDED CLEARANCE AROUND UNIT IS 2 FEET [609.6 MM].
 - INSTALLATION CONTRAINTS. ON-SITE ASSEMBLY OF PIPING, TUBING AND/OR ELECTRICAL CONNECTIONS, ARE THE RESPONSIBILITY OF THE CUSTOMER/OWNER.

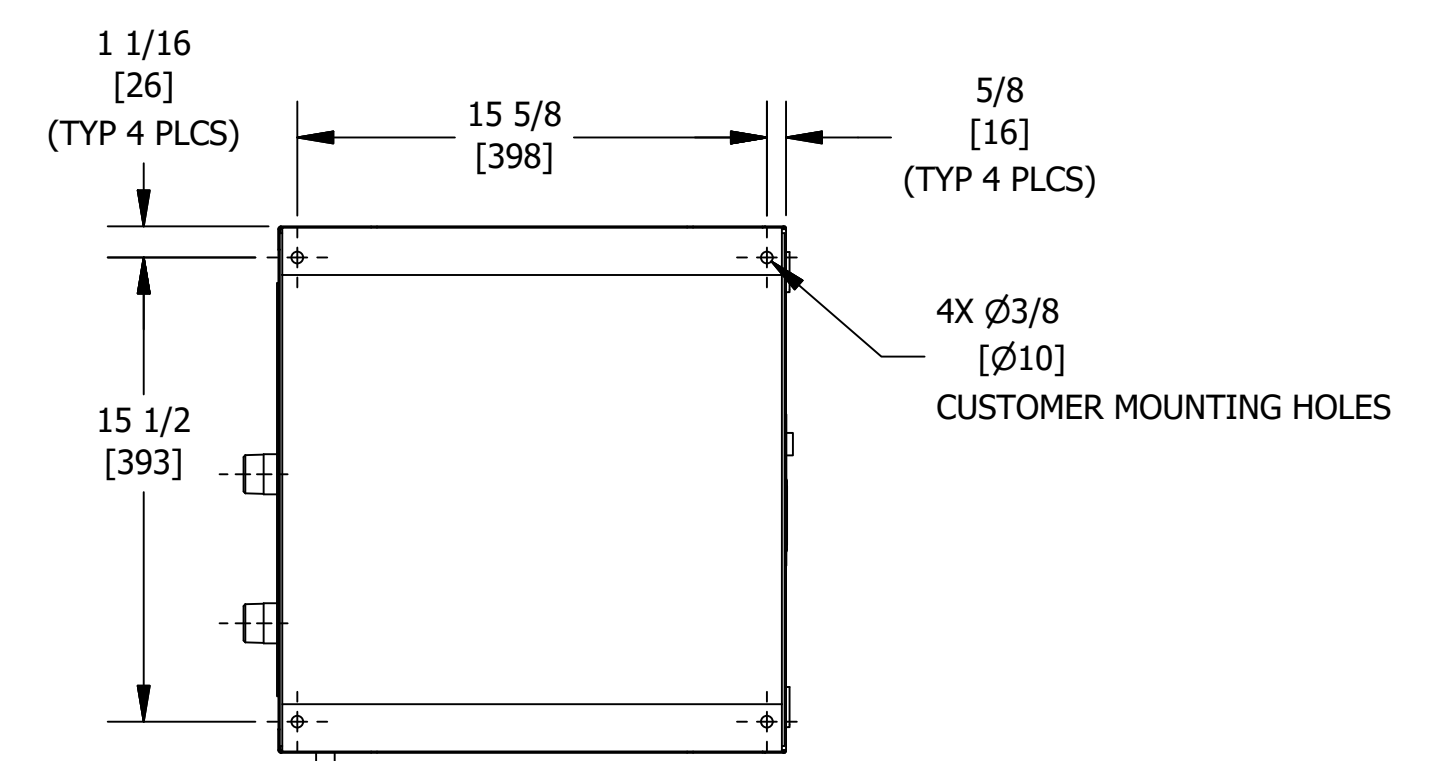


FRONT VIEW

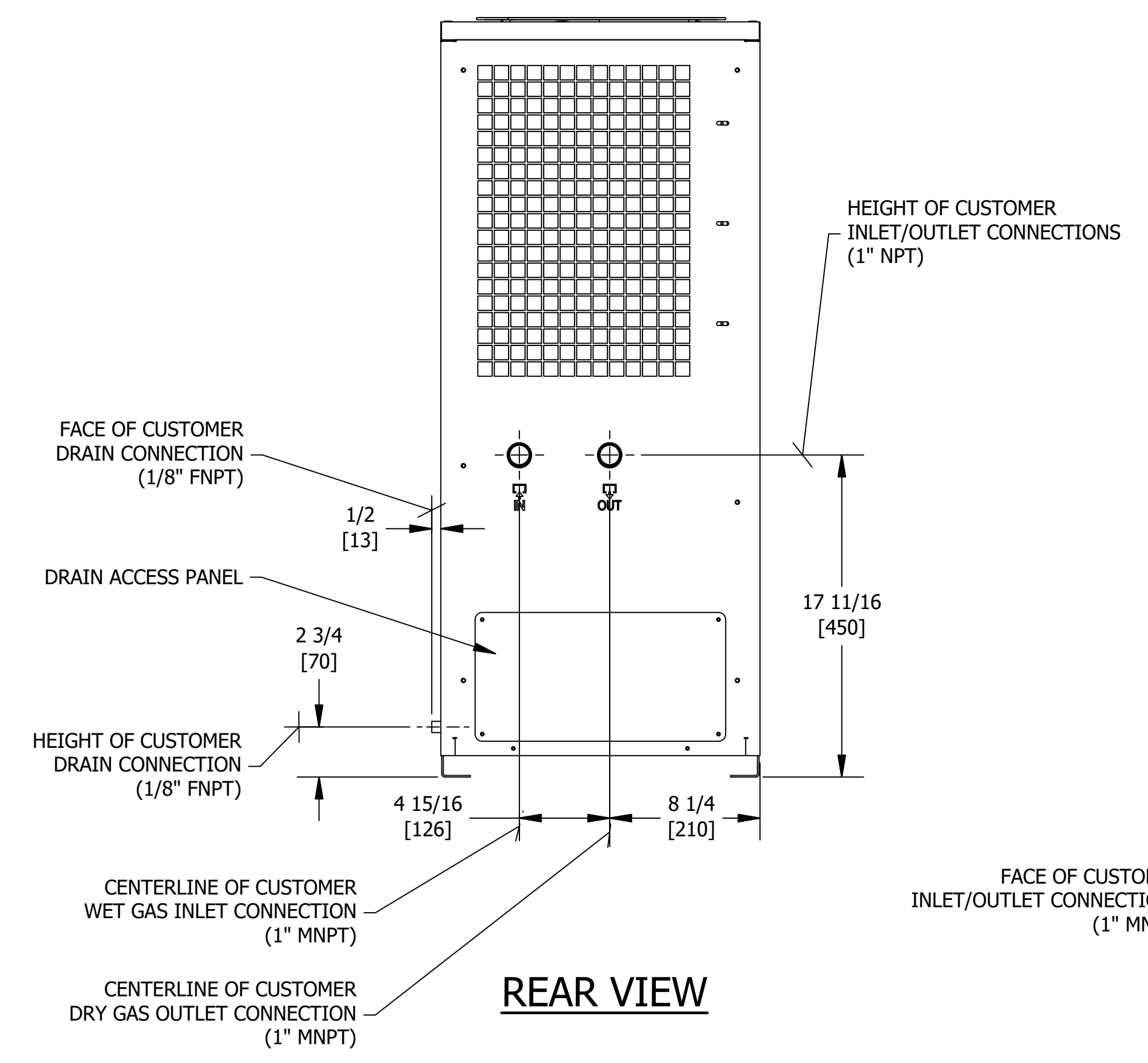


SIDE VIEW

FACE OF CUSTOMER INLET/OUTLET CONNECTIONS (1" MNPT)



FOOT PRINT



REAR VIEW

UNLESS OTHERWISE SPECIFIED:		NAME	DATE	UNAUTHORIZED USE, MANUFACTURE, OR REPRODUCTION IN WHOLE OR IN PART IS PROHIBITED. DRAWING DESIGN AND OTHER DISCLOSURES ARE PROPERTY OF:
DIMENSIONS ARE IN: INCHES (MM)		DWN BY	CRH	
SURFACE FINISH: N/A		ENG BY	BJM	10/30/2019
TOL.	MM	INCHES	CHK BY	AGT
.X			APP BY	BJM
.XX			REL BY	MDB
.XXX				
FRACT: ±1/2	ANG: ±2°	MATERIAL:		SIZE: D
SCALE: 5/32		DWG NO: GA03DEL-0209		REV: 1/1



GENERAL ARRANGEMENT
HTDN 75