

MODEL	INLET AIR FLOW (SCFM)	DIMENSIONS, INCHES (MM)											CONNECTIONS (NPT, MALE)	REFRIGERANT	ELECTRICAL	WEIGHT Lb.(kg.)
		A	B	C	D	E	F	G	H	I	J	K				
DFX1.1	75	4.69 (119)	4.97 (126.2)	8.41 (213.5)	19.20 (487.7)	14.27 (362.4)	29.58 (751.2)	12.75 (324)	23.72 (602.5)	3.39 (86.2)	15.40 (391.2)	22.14 (562.4)	1"	R-134a	115V/1PH/60Hz	120 (54.5)

NOTE: PRIMARY DIMENSIONS ARE INCHES & DIMENSIONS IN BRACES ARE METRIC

SERVICE :

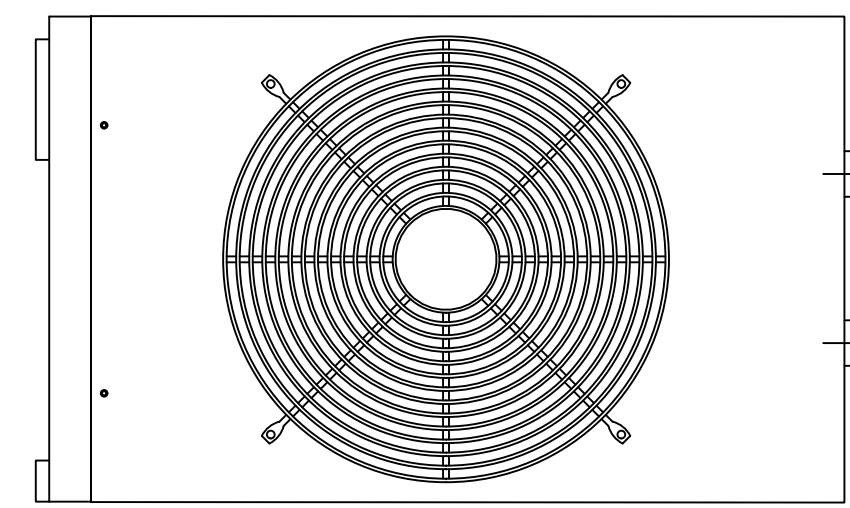
COMPRESSED AIR

OPERATING CONDITIONS :

AIR INLET FLOW RATING- 75 SCFM
 RATED INLET AIR PRESSURE- 100 PSIG
 MAXIMUM INLET AIR PRESSURE- 232 PSIG
 MINIMUM INLET AIR PRESSURE- 43.5 PSIG
 RATED INLET AIR TEMPERATURE- 100°F
 MAXIMUM INLET AIR TEMPERATURE- 122°F
 MINIMUM INLET AIR TEMPERATURE- 39°F
 RATED AMBIENT AIR TEMPERATURE- 100°F
 MAXIMUM AMBIENT AIR TEMPERATURE- 113°F
 MINIMUM AMBIENT AIR TEMPERATURE-36°F

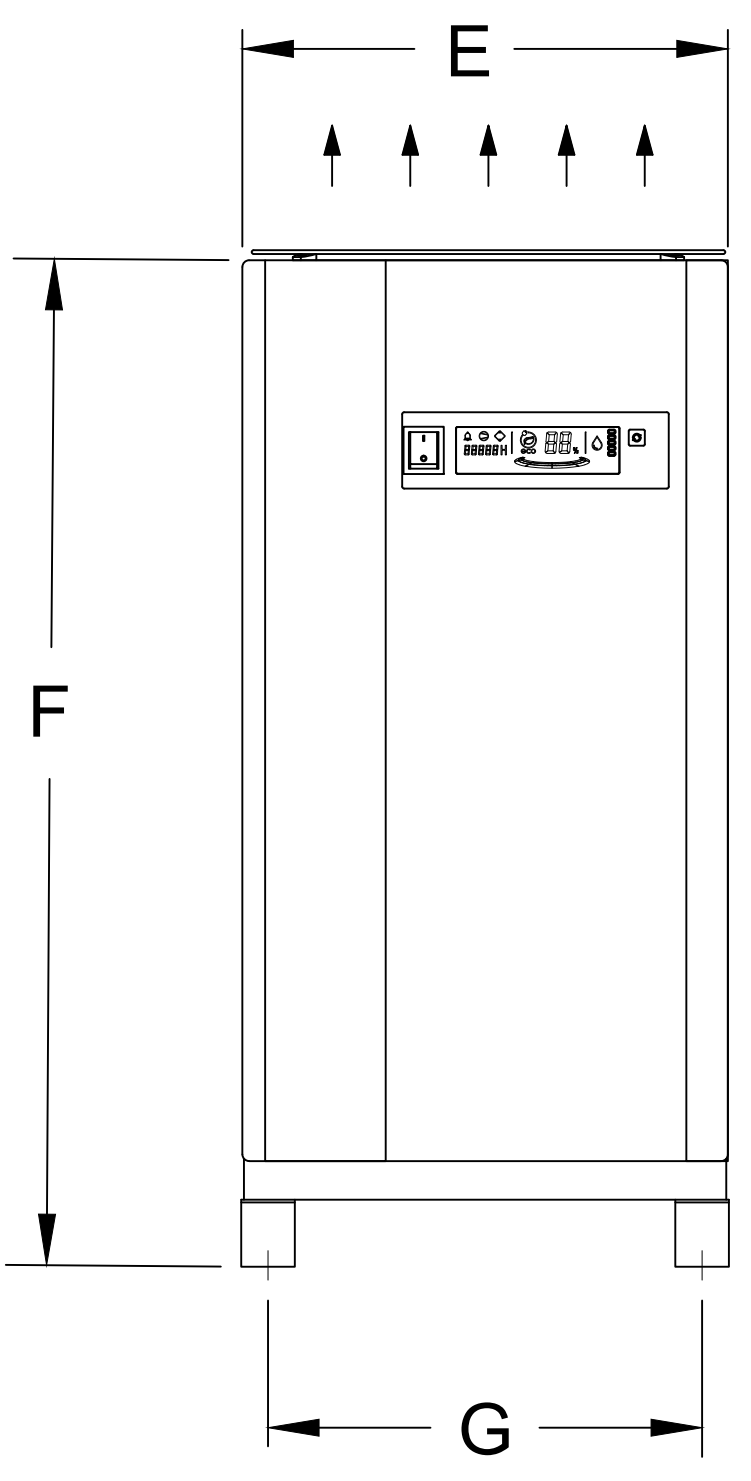
SPECIFICATIONS:

CONDENSER TYPE- AIR COOLED
 DRAIN TYPE- ELECTRONIC AUTO DRAIN VALVE
 EXPANSION DEVICE- CAPILLARY TUBES



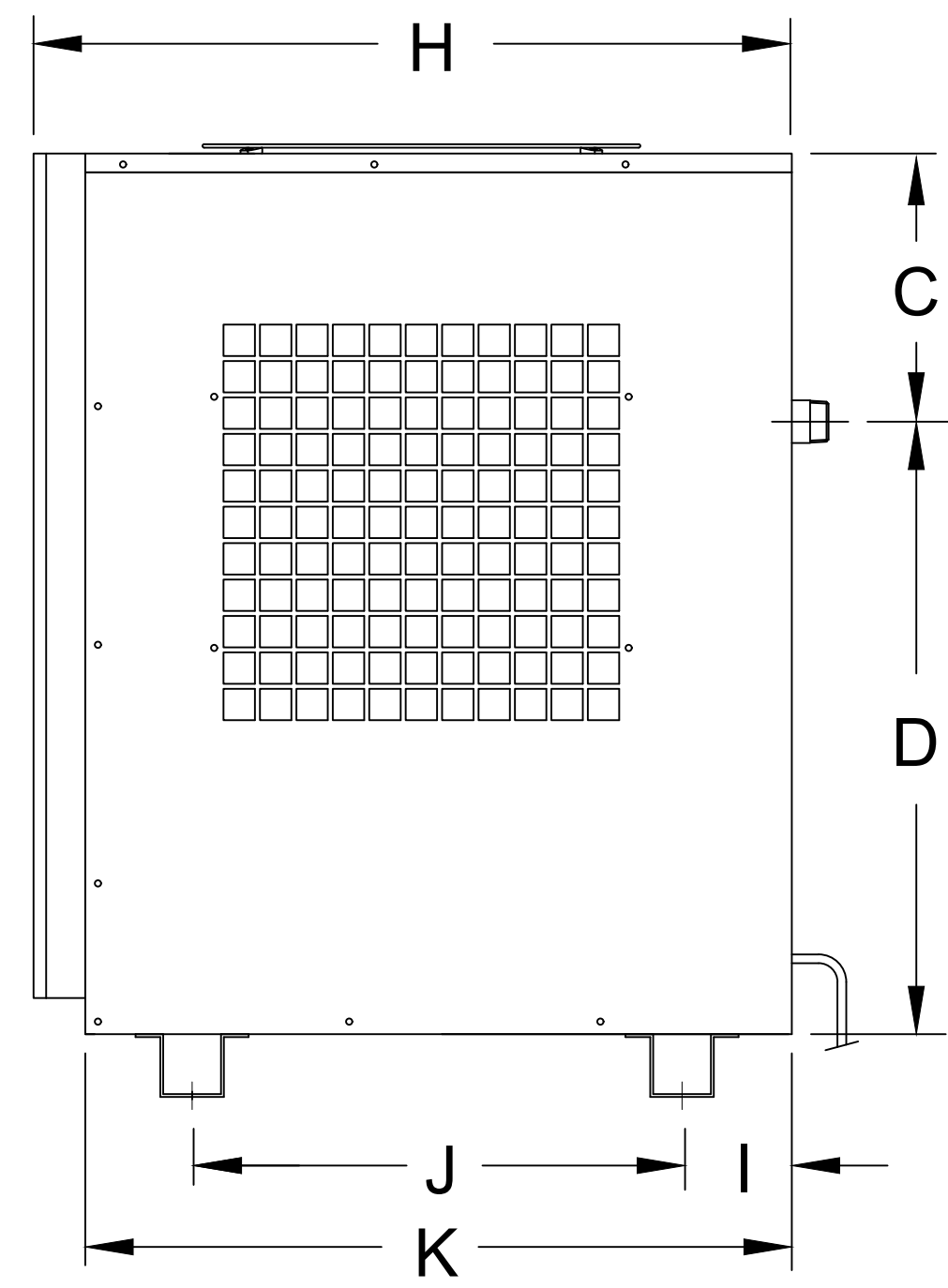
TOP VIEW

→ DRIED AIR OUTLET
 ← WETTED AIR INLET

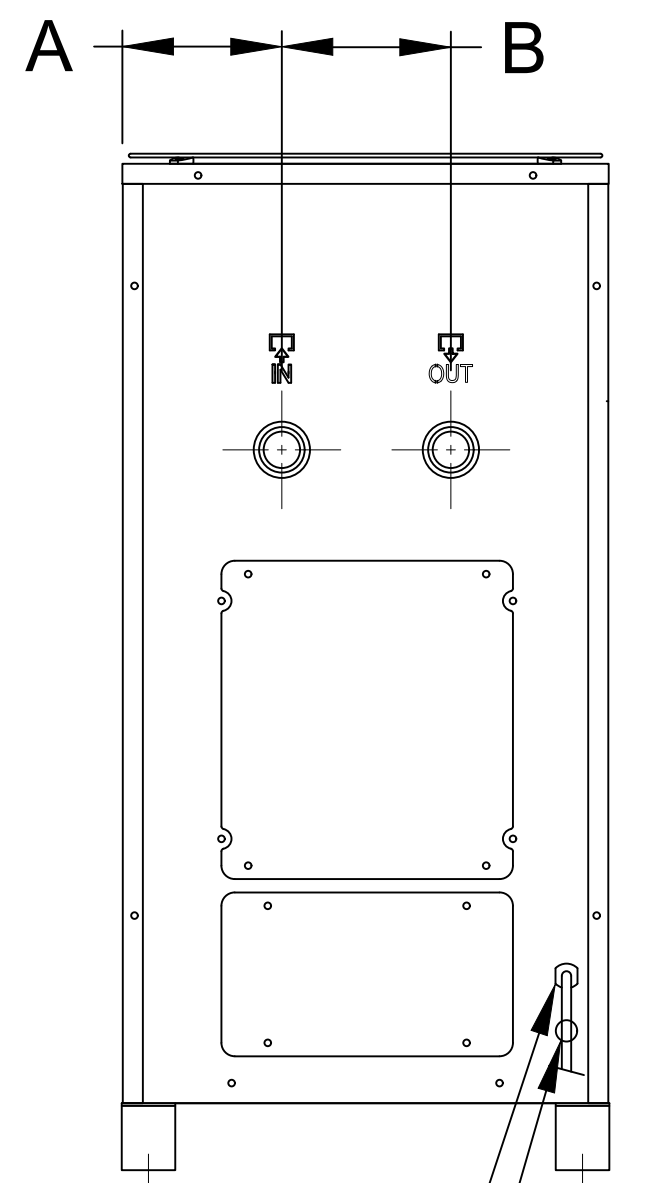


FRONT VIEW

← COOLING AIR FLOW



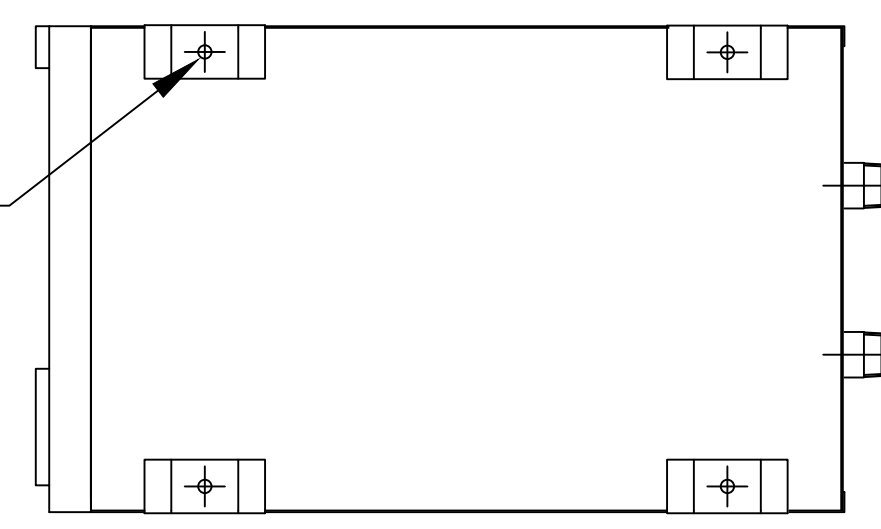
RIGHT SIDE VIEW



REAR VIEW

MAIN POWER CABLE
 DRAIN OUTLET

4-ø3/8"(10) MOUNTING HOLES



FOOT PRINT

REV.	DESCRIPTION	BY	DATE	APPROVED
B	CORRECTED DIMENSION I LOCATION	BJM	08/23/18	BJM
A	CHANGED FORMATTING & UPDATED EXPANSION DEVICE	NSD/BEC	07/20/18	BJM

REVISION HISTORY (△ INDICATES LATEST REVISION)

UNLESS OTHERWISE SPECIFIED DIMENSIONS ARE IN INCHES
 TOL. ON FRACTIONS: ±
 TOL. ON DECIMALS: ±
 TOL. ON DECIMALS: ±
 TOL. ON ANGLES: ±

FILER NO.
 DRAWN BY: NLC
 DATE: 5/23/17
 CHECKED BY: NLC
 DATE: 5/23/17
 APPROVED BY: NLC
 DATE: 5/23/17

UNAUTHORIZED USE, MANUFACTURE, OR REPRODUCTION IN WHOLE OR IN PART IS PROHIBITED. DRAWING DESIGN AND OTHER DISCLOSURES ARE PROPERTY OF:

* DO NOT SCALE. USE DIMENSIONS ONLY *

GENERAL ARRANGEMENT
 DFX 1.1

SIZE B	DWG. NO. GA03DEL-0059	REV. B
SCALE: NONE	EST. WT.	SHEET 1 OF 1