

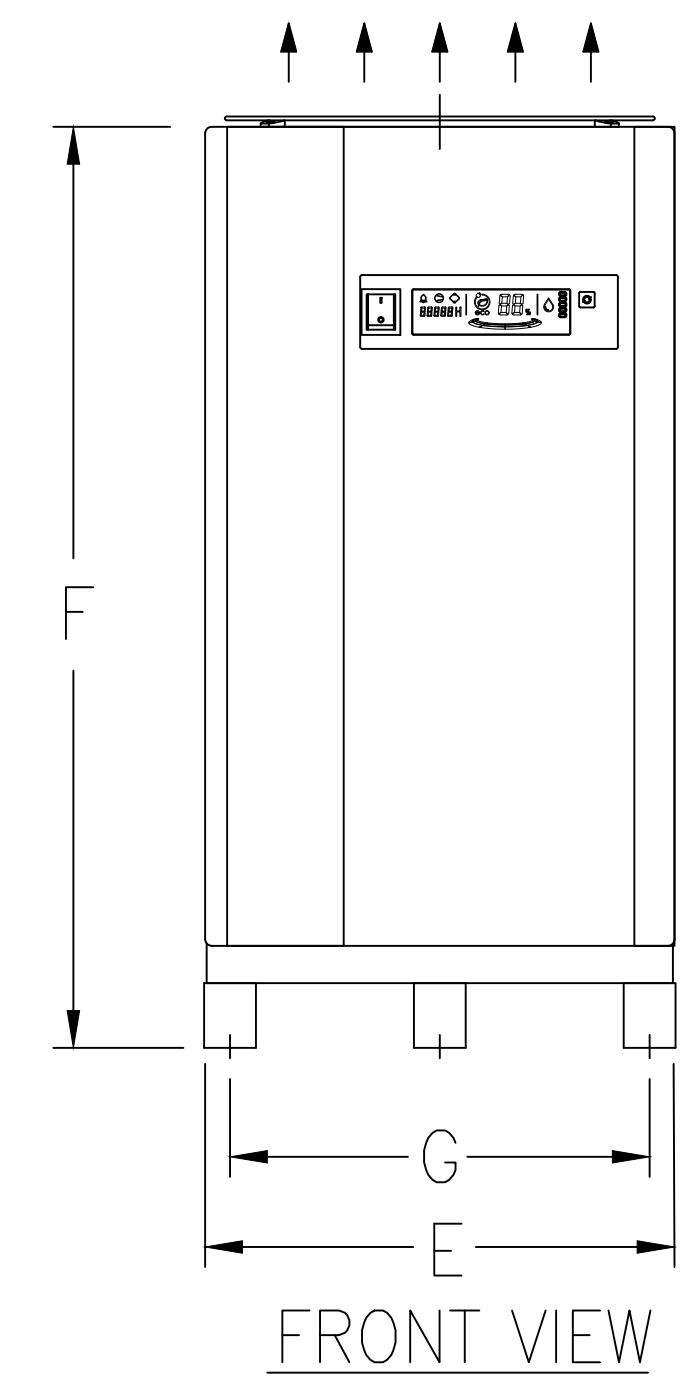
MODEL	INLET AIR FLOW (SCFM)	DIMENSIONS, INCHES (MM)											CONNECTIONS (NPT, MALE)	REFRIGERANT	ELECTRICAL	WEIGHT Lb.(kg.)
		A	B	C	D	E	F	G	H	I	J	K				
DFX1.2	100	3.41 (86.5)	4.97 (126.2)	6.77 (172)	19.26 (489.2)	14.29 (363)	28 (711.2)	12.76 (324)	30.76 (781.3)	5.56 (141.2)	19.29 (490)	29.18 (741.2)	1"	R-134a	115V/1PH/60Hz	147 (66.5)
DFX1.5-1	150	4.86 (123.5)	7.86 (199.6)	3.62 (92)	24.38 (619.2)	17.44 (443)	29.97 (761.2)	15.91 (404)	35.48 (901.2)	3.39 (86.2)	27.17 (690)	33.91 (861.2)	2"	R-407C	115V/1PH/60Hz	203 (92)
DFX1.5	150	4.86 (123.5)	7.86 (199.6)	3.62 (92)	24.38 (619.2)	17.44 (443)	29.97 (761.2)	15.91 (404)	35.48 (901.2)	3.39 (86.2)	27.17 (690)	33.91 (861.2)	2"	R-407C	230V/1PH/60Hz	188 (85.5)
DFX2.1	200	4.86 (123.5)	7.86 (199.6)	3.62 (92)	24.38 (619.2)	17.44 (443)	29.97 (761.2)	15.91 (404)	37.85 (961.3)	3.39 (86.2)	29.53 (750)	36.26 (921.1)	2"	R-407C	230V/1PH/60Hz	217 (98.5)
DFX2.1-4	200	4.86 (123.5)	7.86 (199.6)	3.62 (92)	24.38 (619.2)	17.44 (443)	29.97 (761.2)	15.91 (404)	37.85 (961.3)	3.39 (86.2)	29.53 (750)	36.26 (921.1)	2"	R-134a	460V/3PH/60Hz	244 (110.5)
DFX3.1	300	4.86 (123.5)	7.86 (199.6)	8.31 (211.2)	25.59 (650)	19.41 (493)	35.87 (911.2)	17.87 (454)	43.75 (1111.3)	3.39 (86.2)	35.43 (900)	42.17 (1071.2)	2"	R-407C	460V/3PH/60Hz	324 (147)
DFX4.1	400	4.86 (123.5)	8.58 (218)	8.35 (212)	25.56 (649.2)	19.41 (493)	35.87 (911.2)	17.87 (454)	43.75 (1111.3)	3.39 (86.2)	35.43 (900)	42.17 (1071.2)	2"	R-407C	230V/1PH/60Hz	335 (152)

NOTE: PRIMARY DIMENSIONS ARE INCHES & DIMENSIONS IN BRACES ARE METRIC

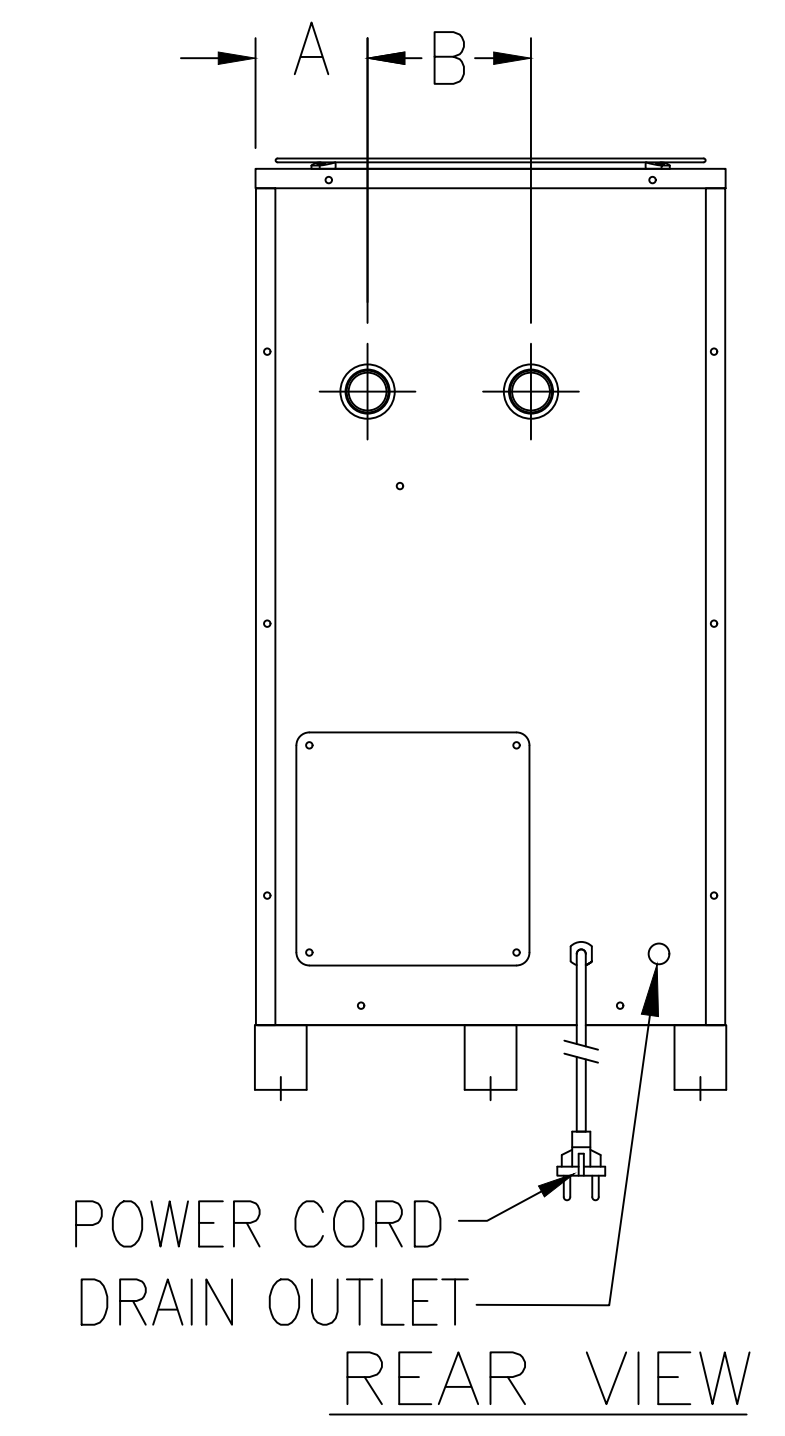
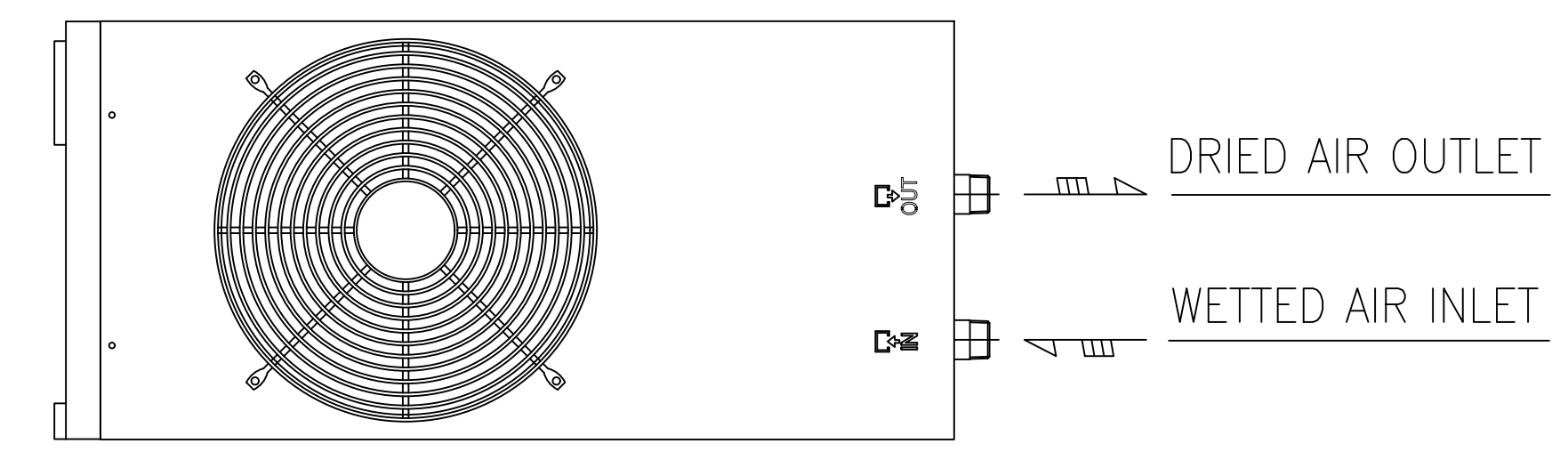
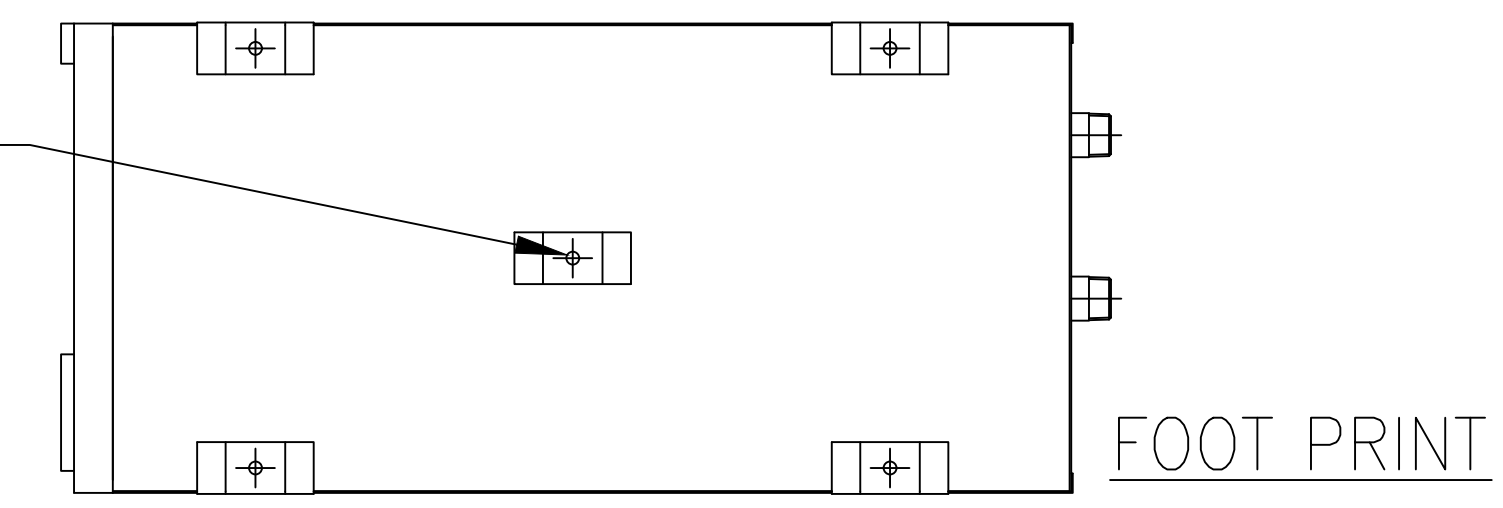
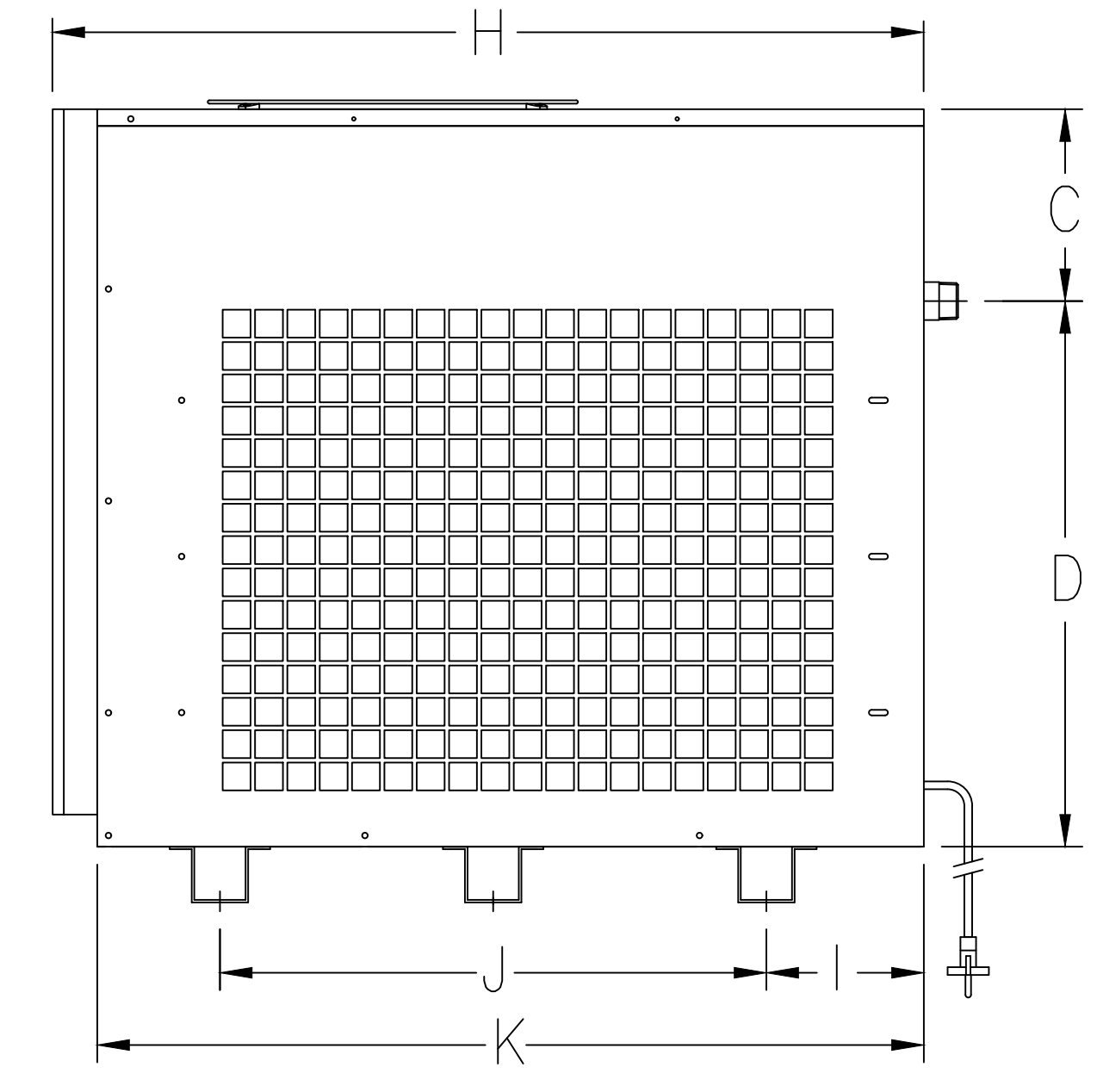
SERVICE :
COMPRESSED AIR

OPERATING CONDITIONS :
 MAXIMUM INLET AIR PRESSURE - 232 PSIG
 MINIMUM INLET AIR PRESSURE - 43.5 PSIG
 RATED INLET AIR TEMPERATURE - 100 °F
 MAXIMUM INLET AIR TEMPERATURE - 122 °F
 MINIMUM INLET AIR TEMPERATURE - 39 °F
 RATED AMBIENT AIR TEMPERATURE - 100 °F
 MAXIMUM AMBIENT AIR TEMPERATURE - 113 °F
 MINIMUM AMBIENT AIR TEMPERATURE - 36 °F

SPECIFICATIONS :
 CONDENSER TYPE - AIR COOLED
 DRAIN TYPE - ELECTRONIC AUTO DRAIN V/V
 EXPANSION DEVICE - CAPILLARY TUBE



(5X)ø3/8 (10)
MOUNTING HOLES



REV.	DESCRIPTION	BY	DATE	APPROVED
C	CORRECTED DIM E, I & K LOCS	BJM	08/23/18	BJM
B	ADDED DFX 1.5, 1.5-1, 2.1-4 & 3.1	NSD/BEC	07/20/18	BJM
A	ADDED DFX 2.1 & 4.1	NLC	05/23/17	NLC

REVISION HISTORY (△ INDICATES LATEST REVISION)

UNLESS OTHERWISE SPECIFIED DIMENSIONS ARE IN INCHES
 TOL. ON FRACTIONS: ±
 TOL. ON DECIMALS: ±
 TOL. ON DECIMALS: ±
 TOL. ON ANGLES: ±

THIRD ANGLE PROJECTION

FILER NO.
 DRAWN BY: NLC
 DATE: 5/23/17
 CHECKED BY: NLC
 DATE: 5/23/17
 APPROVED BY: NLC
 DATE: 5/23/17

UNAUTHORIZED USE, MANUFACTURE, OR REPRODUCTION IN WHOLE OR IN PART IS PROHIBITED. DRAWING DESIGN AND OTHER DISCLOSURES ARE PROPERTY OF:

* DO NOT SCALE. USE DIMENSIONS ONLY *

GENERAL ARRANGEMENT
 DFX 1.2, 1.5-1, 1.5, 2.1, 2.1-4, 3.1 & 4.1

SIZE B	DWG. NO. GA03DEL-0060	REV. C
SCALE: NONE	EST. WT.	SHEET 1 OF 1